

30"

Item Number:

- 157-V30-CWH
- 157-V30-VV
- 157-V30-WW

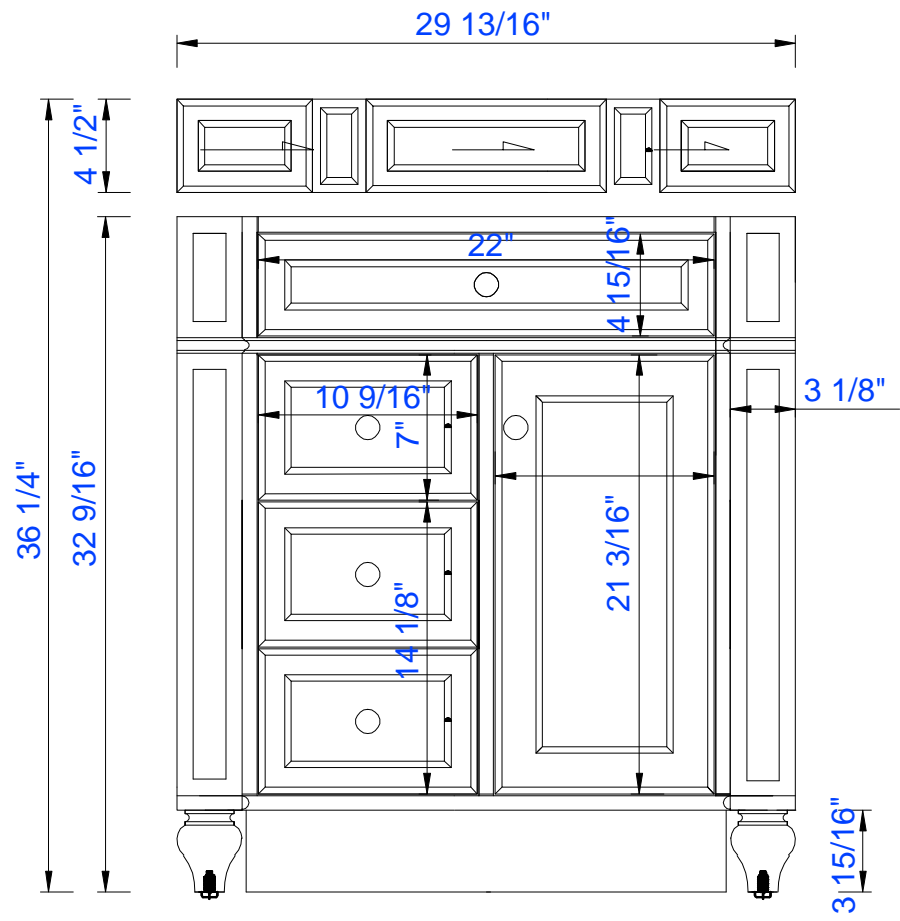
JAMES MARTIN



VANITIES™

Bristol 30" Cabinet

Diagrams with Dimensions
page 01 of 03



NOTE ONE:Countertops are not shown in these diagrams.(Cabinet Only)

NOTE TWO:Wood Backsplash(Shown)is designed for the molding detail to align with sinks in James Martin's Optional Countertops.

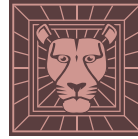
Customers'own countertops and sinks may align differently.

Please consult our website for Countertop Diagrams: www.jamesmartinvanities.com

Item Number:

157-V30-CWH
 157-V30-VV
 157-V30-WW

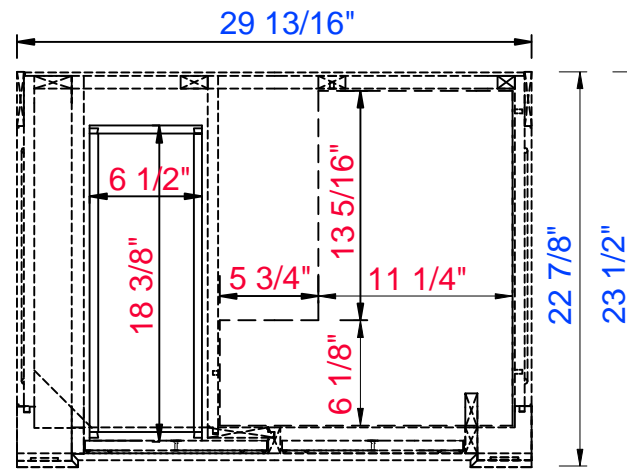
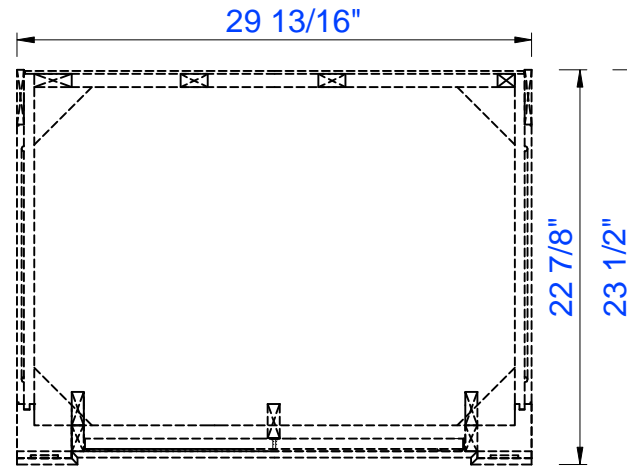
JAMES MARTIN



VANITIES™

Bristol 30" Cabinet

Diagrams with Dimensions
 page 02 of 03



NOTE ONE: Countertops are not shown in these diagrams. (Cabinet Only)

NOTE TWO: Internal Shelves (Shown) are designed to align with sinks in James Martin's Optional Countertops. Customers' own countertops and sinks may align differently, and modification may be required. Please consult our website for Countertop Diagrams: www.jamesmartinvanities.com

30"

Item Number:

157-V30-CWH
157-V30-VV
157-V30-WW

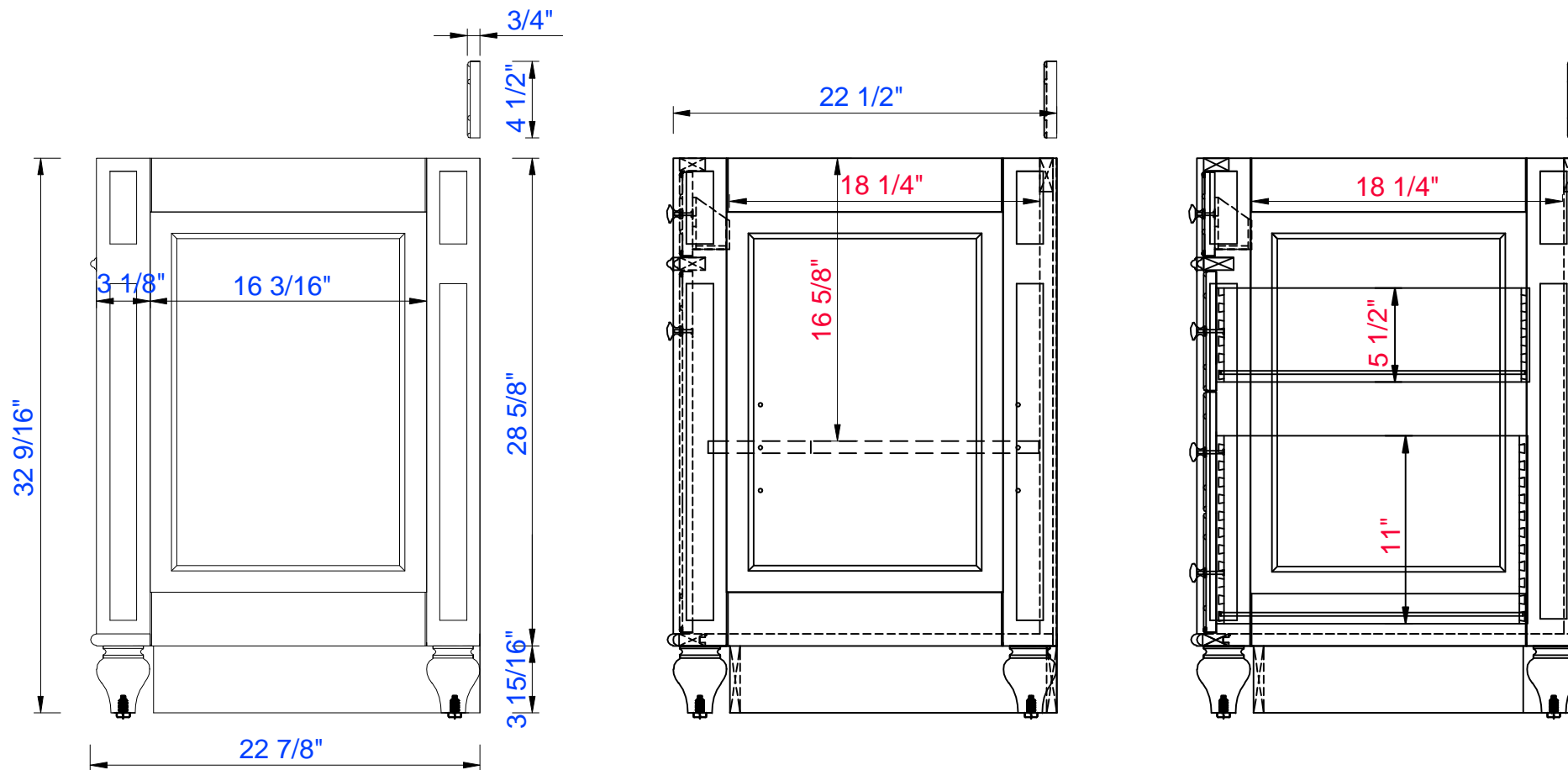
JAMES MARTIN



VANITIES™

Bristol 30" Cabinet

Diagrams with Dimensions
page 03 of 03



NOTE ONE: Countertops are not shown in these diagrams. (Cabinet Only)

NOTE TWO: Wood Backsplash (Shown) is designed for the molding detail to align with sinks in James Martin's Optional Countertops.

Customers' own countertops and sinks may align differently.

Please consult our website for Countertop Diagrams: www.jamesmartinvanities.com

Version: 202005

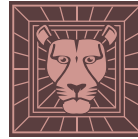
Item Number:

157-V30-CWH

157-V30-VV

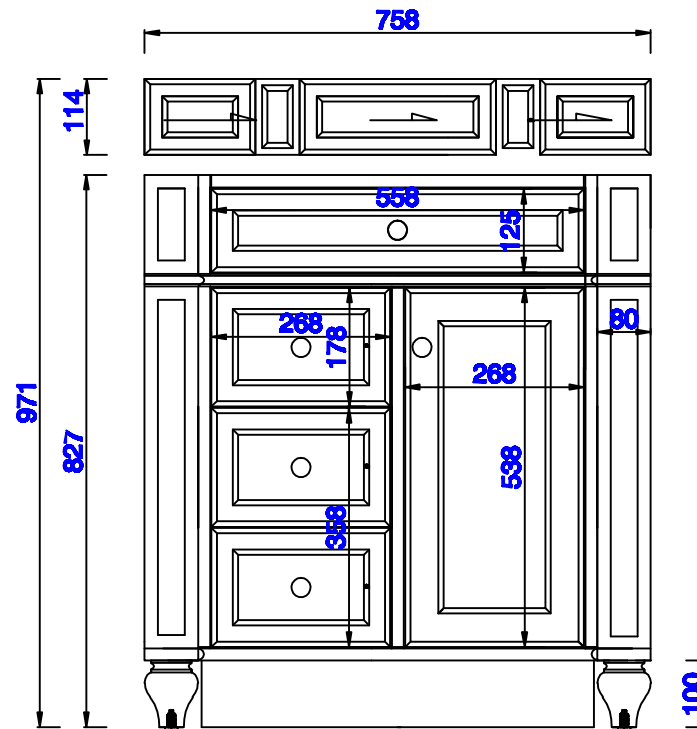
157-V30-WW

JAMES MARTIN



VANITIES™

Bristol 762mm Cabinet

Diagrams with Dimensions
page 01 of 03

NOTE ONE: Countertops are not shown in these diagrams. (Cabinet Only)

NOTE TWO: Wood Backsplash (Shown) is designed for the molding detail to align with sinks in James Martin's Optional Countertops.

Customers' own countertops and sinks may align differently.

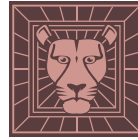
Please consult our website for Countertop Diagrams: www.jamesmartinvanities.com

762mm

Item Number:

157-V30-CWH
157-V30-VV
157-V30-WW

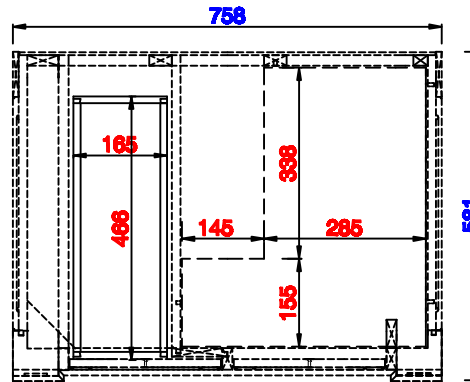
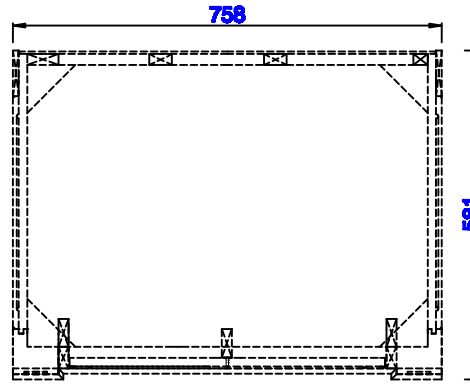
JAMES MARTIN



VANITIES™

Bristol 762mm Cabinet

Diagrams with Dimensions
page 02 of 03



NOTE ONE: Countertops are not shown in these diagrams. (Cabinet Only)

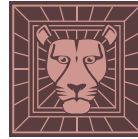
NOTE TWO: Internal Shelves (Shown) are designed to align with sinks in James Martin's Optional Countertops. Customers' own countertops and sinks may align differently, and modification may be required. Please consult our website for Countertop Diagrams: www.jamesmartinvanities.com

762mm

Item Number:

157-V30-CWH
157-V30-VV
157-V30-WW

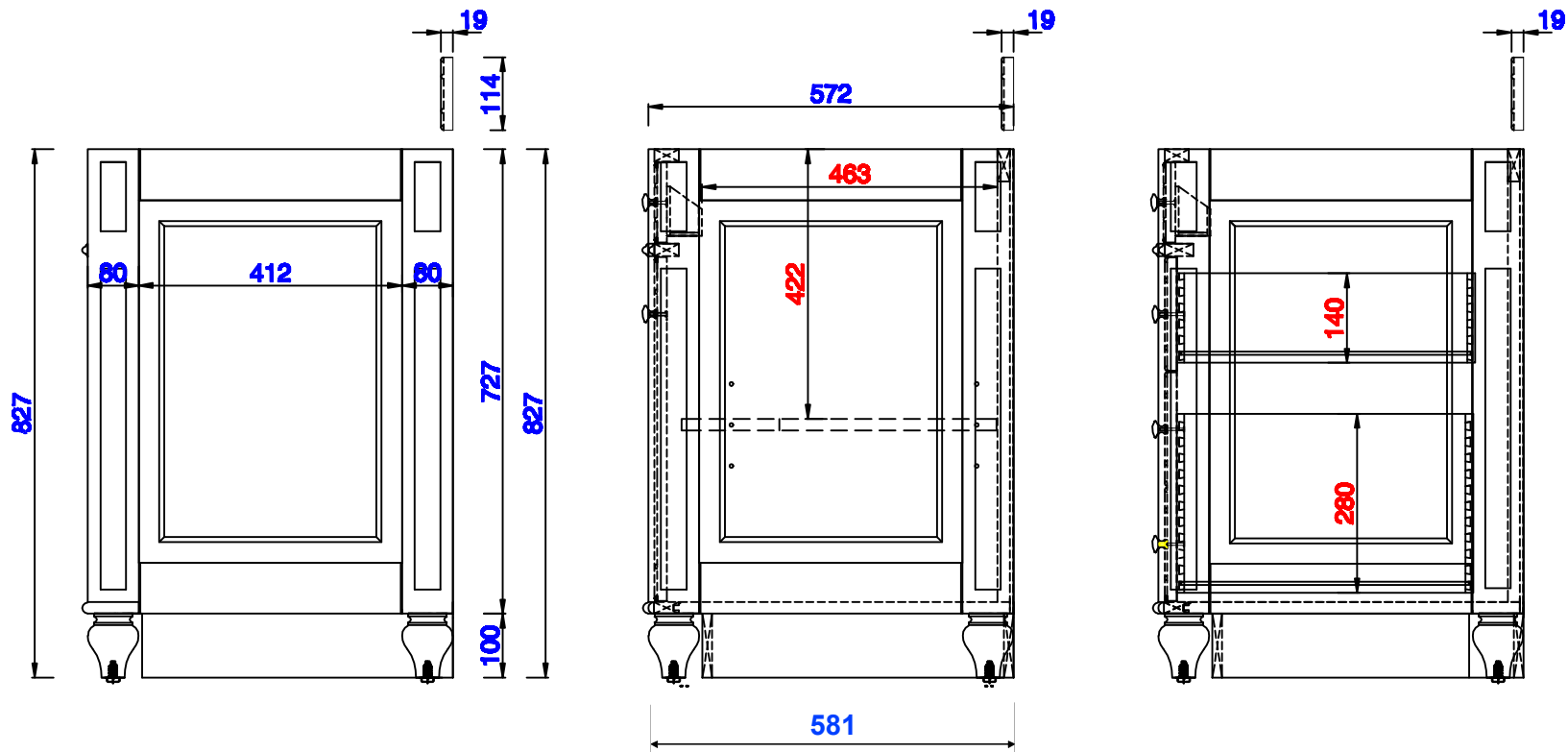
JAMES MARTIN



VANITIES™

Bristol 762mm Cabinet

Diagrams with Dimensions
page 03 of 03



NOTE ONE: Countertops are not shown in these diagrams. (Cabinet Only)

NOTE TWO: Wood Backsplash (Shown) is designed for the molding detail to align with sinks in James Martin's Optional Countertops. Customers' own countertops and sinks may align differently.

Please consult our website for Countertop Diagrams: www.jamesmartinvanities.com